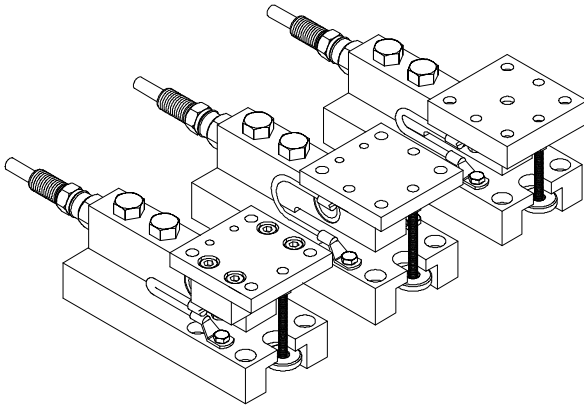


**HI HLPS SERIES  
LOAD POINT ASSEMBLIES**

**OPERATION AND INSTALLATION  
MANUAL**



**Corporate Headquarters**

10075 Mesa Rim Road

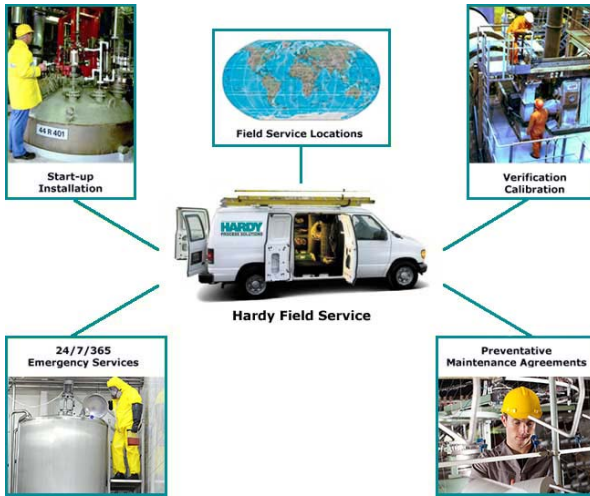
San Diego, CA 92121

Phone: (858) 278-2900

Web-Site: <http://www.hardysolutions.com>

Hardy Process Solutions Document Number: 0596-0237-01 Rev H

Copyright 1999-2022 Hardy Process Solutions All Rights Reserved. Printed in the U.S.A. (941028)



## Local Field Service

Hardy has over 200 field technicians in the U.S., and more positioned throughout the world to assist you in your support needs. We also have factory engineers who will travel to your facility anywhere in the world to help you solve challenging applications. We're ready to support you with:

- **Installation and start-up**
- **Routine maintenance and certification**
- **Plant audits and performance measurement**
- **Emergency troubleshooting and repair**

To request Emergency Service and Troubleshooting, Start-up, Installation, Calibration, Verification or to discuss a Maintenance Agreement please call **800-821-5831 Option 4** or Emergency Service after hours (Standard Hours 6:00 AM to 5:30 PM Pacific Standard Time) and weekends **800-821-5831 Option 4**.

## Outside the U.S

Hardy Process Solutions has built a network of support throughout the globe. For specific field service options available in your area please contact your local sales agent or our U.S. factory at +1 **858-292-2710, Option 4**.

**CAUTION:**

**UNPACK WITH CARE**

**WHEN UNPACKING, DO NOT DISCARD THE PACKING CASE OR ANY PACKING MATERIAL, UNTIL THE CONTENTS OF THE PACKING CASE ARE INSPECTED AND CAREFULLY COMPARED WITH THE SHIPPING DOCUMENTS.**

**IF ANYTHING IS UNSATISFACTORY, PLEASE NOTIFY HARDY INSTRUMENTS IMMEDIATELY BY CALLING, FAXING OR E-MAILING TO:**

Customer Support Department  
HARDY PROCESS SOLUTIONS  
10075 Mesa Rim Road  
San Diego, California 92121

Phone: (800) 821-5831  
(858) 278-2900

E-mail: [hardysupport@hardysolutions.com](mailto:hardysupport@hardysolutions.com)  
Web Address: [www.hardysolutions.com](http://www.hardysolutions.com)

**A RETURN AUTHORIZATION NUMBER IS REQUIRED BEFORE RETURNING ANY DAMAGED PRODUCT. CALL THE CUSTOMER SUPPORT DEPARTMENT TO GET THE NUMBER. YOUR COMPANY NAME, ADDRESS, TELEPHONE NUMBER, SERIAL NUMBER OF THE UNIT AND A BRIEF DESCRIPTION OF THE PROBLEM SHOULD BE READY WHEN CALLING.**

**IN CASE OF DAMAGE DUE TO SHIPPING, NOTIFY THE DELIVERING CARRIER IMMEDIATELY FOR AN INSPECTION.**



**Table of Contents**

General Information - - - - - 1

Three Load Point Types - - - - - 2

Unpacking - - - - - 3

Installation of the Ground Strap - - - - - 3

Site Preparation - - - - - 5

Precautions - - - - - 5

Basic Engineering Principles for Positioning Load Point Assemblies - 5

    Principle #1 - - - - - 5

    Principle #2 - - - - - 5

    Principle #3 - - - - - 5

    Principle #4 - - - - - 6

Typical Mounting Arrangements - - - - - 6

    Round Vessel with 3 Load Point Assemblies 7

    Round Vessel with 3 Load Point Assemblies - Angle Config. #1 - 7

    Round Vessel with 3 Load Point Assemblies - Angle Config. #2 - 8

    Square Hopper with 3 Load Point Assemblies - Even

    Load Distribution - - - - - 8

    Square Hopper with 3 Load Point Assemblies - Uneven

    Load Distribution - - - - - 9

    Round Vessel with 4 Load Point Assemblies - - - - - 9

    Typical 4 - Load Point Assembly Installation - - - - - 10

    Typical 6 - Load Point Assembly Installation - - - - - 11

Level Requirements - - - - - 11

Stiffness - - - - - 11

Installation Procedures - - - - - 12

    Pre-Installation Procedures - - - - - 12

    Installing Load Point Assemblies with Anchor Bolts - - - - - 13

        Installing the Base Plate - - - - - 13

        Installing the Top Plate to the Load Surface - - - - - 18

Adjusting the Anti-Lift Off Device - - - - - 21

Replacing the Load Sensor - - - - - 21

Troubleshooting - - - - - 25

    Physical Checks - - - - - 25

    Electrical Tests for Load Point Assembly Problems - - - - - 25

        Zero Balance Test - - - - - 25

        Bridge Resistance Test - - - - - 26

        Resistance to Ground Test - - - - - 26

Electrical Termination Cable Color Codes - - - - - 27

Model Numbers - - - - - 28

    Three Leg Systems - - - - - 28

    Four Leg Systems - - - - - 29

Specifications - - - - - 29

**HI HLPS SERIES LOAD POINT ASSEMBLY**

*Congratulations, on your purchase of the Hardy Process Solutions Load Point Assembly. This product, is engineered to set a new standard in load point assemblies. Hardy combined new innovations with previously extra cost features and just plain common sense features and provided you with optimum performance unequalled anywhere.*

**General Information**

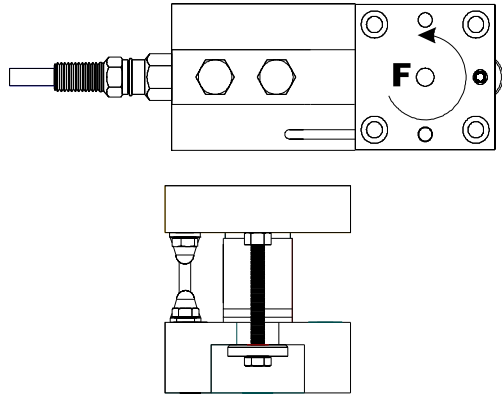
The Hardy HI HLPS Hermetic Load Point System provides accurate output in the most demanding applications. The load sensor performance exceeds IP68 and NEMA 6 Standards for Wash Down Resistance.

Use the HI HLPS Free Sliding Load Point System for medium capacity vessels. The pre-assembled Free Sliding Load Point System consists of three low profile mount types (See Figs. 1,2,3) that are designed to eliminate the effects of unwanted forces and resulting in exceptional load measuring accuracy.

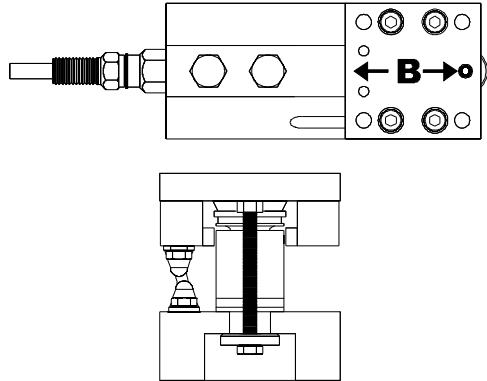
Each load point consists of a stainless steel load sensor which is hermetically sealed (gauge area and cable entry), Enhanced C2<sup>®</sup> Second Generation Calibration, matched mV/V and mV/V/Ohm and a 1/4 inch conduit adapter. The load points are pre-assembled at our factory, eliminating any assembly in the field. Each load point is fitted with a grounding strap and anti-lift-off protection. The load points mounting hardware is available in either stainless or galvanized steel.

**HI HLPS SERIES LOAD POINT ASSEMBLY**

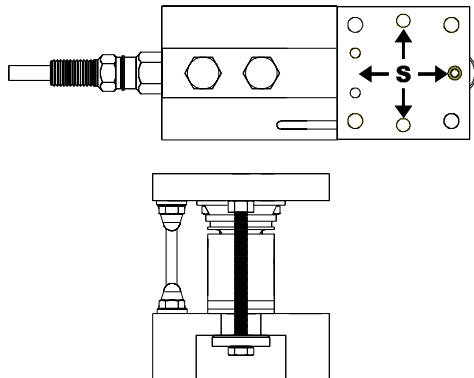
**Three Load Point Types**



**FIG. 1: FIXED PIN LOAD POINT**



**FIG. 2: BUMPER PIN LOAD POINT**



**FIG. 3: FREE SLIDING PIN LOAD POINT**

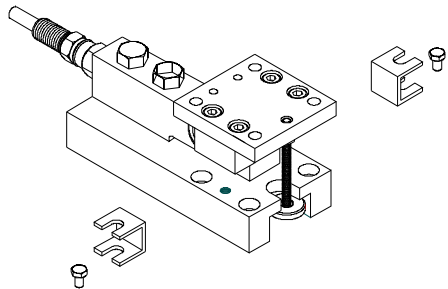


## **Unpacking**

- Do not remove the load point assembly from its packaging until just before installation. Although the load sensor is designed for harsh environments, it is a precision instrument and should be treated as such.
- Inspect the box, packing and the load point assembly for any signs of damage that might occur during shipment. Since almost all of the load point assemblies are shipped F.O.B. our factory, such damage is normally the responsibility of the carrier and should be reported to them.
- **LOAD SENSOR CERTIFICATION SHEETS ARE AVAILABLE 24 HOURS A DAY IN THE SUPPORT SECTION OF OUR WEBSITE: <http://www.hardysolutions.com>**
- Write down the serial number(s) on the inside of the back cover for reference when talking to Hardy Customer Service. Store this information in a secure dry location for future reference.

## **Installation of the Ground Strap**

- Step 1. Cut the plastic strap that fastens the ground strap to the Load Point Assembly.
- Step 2. Use a box-end wrench to remove the two shipping brackets from the load point. (See Fig. 4)



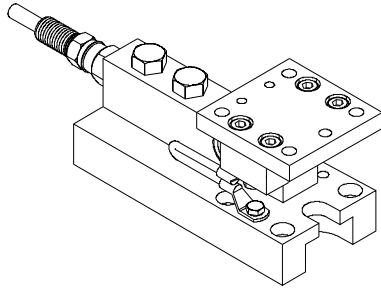
**FIG. 4: REMOVING SHIPPING BRACKETS**

- Step 3. Remove the shipping brackets, which are intended only for use during shipment from the factory. They offer no protection

## HI HLPS SERIES LOAD POINT ASSEMBLY

if you are shipping the vessel fully assembled on the load points.

- Step 4. Save the two shortest machine screws (the hex bolts that fasten the shipping brackets to the base plate). You will use them to install the ground strap. (See Fig. 1-4)
- Step 5. Place one of the ground strap connectors over the threaded hole in the base plate. These are the ones that fastened the shipping bracket to the base. (See Fig. 5)



**FIG. 5: GROUND STRAP INSTALLED**

- Step 6. Install a hex bolt. Tighten with a box-end wrench.
- Step 7. Place the other ground strap connector over the threaded hole in the top plate.
- Step 8. Install the other hex bolt. Tighten with a box-end wrench.
- Step 9. Fig. 5 shows the ground strap installed on the left side when facing the front of the load point assembly. However, you can install the strap on either side if necessary.

**NOTE:**

*Do not connect the ground strap to the base plate on the right side and to the top plate on the left side or vice versa. Crossing over will interfere with the load cell performance.*

## **Site Preparation**

- All mounting surfaces for the base and loading plate must be level. The distance between the mounting surface of the loading plate and base must be within 1/32" of the nominal height, "H". The Load Point Assemblies in a system must be level to within +/- 0.5°.
- When mounting the base plate on concrete, use grout to level the plate.
- Do any welding before installing the load points.
- Provide proper drainage to prevent the load point assembly from standing in water.

## **Precautions**

- Always treat the Load Sensor as a precision instrument. Leave the load point assembly in its packaging until it is time for installation.
- NEVER CARRY OR SWING THE LOAD SENSORS BY THEIR CABLES.
- Never allow moisture to get into any interconnections.
- ***HARDY SOLUTIONS RECOMMENDS THAT YOU DO NOT CUT YOUR ADVANTAGE® OR ADVANTAGE LITE® LOAD SENSOR CABLE. BECAUSE YOUR C2® ACCURACY WILL BE AFFECTED AND THE WARRANTY VOIDED.***

## **Basic Engineering Principles for Positioning Load Point Assemblies**

### **Principle #1**

- Position the Load Points Assemblies so that the load (weight) is distributed as evenly as possible between each load point assembly in the scale.
- When the installation does not allow even distribution of the load, select higher capacity load point assemblies.

### **NOTE:**

*All load point assemblies must have the same capacity when used in one scale.*

## HI HLPS SERIES LOAD POINT ASSEMBLY

### **Principle #2**

- All scales should include one fixed pin-load mount, one bumper pin-load mount. All other load point assemblies in a scale must be the free-sliding mount.

### **Principle #3**

- Place the fixed pin-load mount and the bumper pin load mount as far as possible from each other.
- The fixed pin load mount and the bumper pin load mount must be mounted in the same longitudinal axis.
- In applications that use three load points it is sometimes difficult to mount the fixed-pin and bumper load mounts in-line. Therefore the fixed pin and bumper load mounts can be positioned at a 45° angle from each other and 45° from the free-pin load mount. See the mounting diagrams below for more information.

### **Principle #4**

- If possible, the fixed-pin load mount should be installed so that the load mount is oriented in the direction of travel (e.g. when under a conveyor, the load mount must be in the same longitudinal axis with the direction of the travel of the conveyor). The load mount must be oriented in the direction of any prevalent side force.

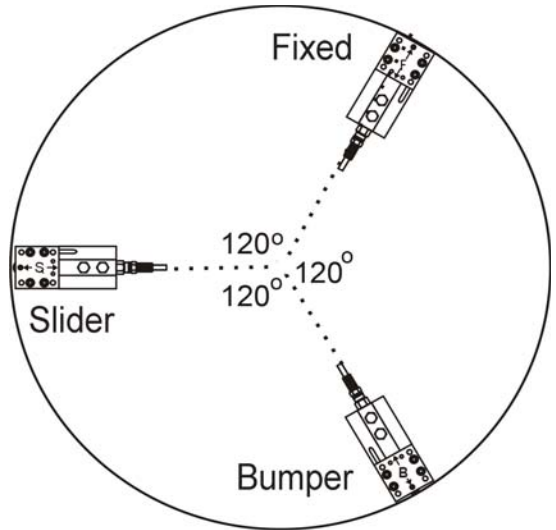
### **Typical Mounting Arrangements**

#### **NOTE:**

*You can orient the load point assemblies to meet your system installation requirements. All load point assemblies can be rotated 360° in 90° increments. The examples above are recommendations only. The only required orientation is that the bumper load cell must point either towards or directly away from the fixed load point.*

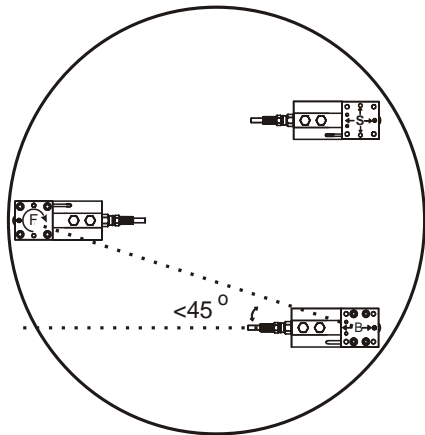
*Use the load cell cable for the pointer to ensure that the vessel cannot rotate and allow the cells to slide off their mounts.*

**Round Vessel with 3  
Load Point  
Assemblies**



**FIG. 6: THREE LOAD CELLS IN ROUND CONFIGURATION**

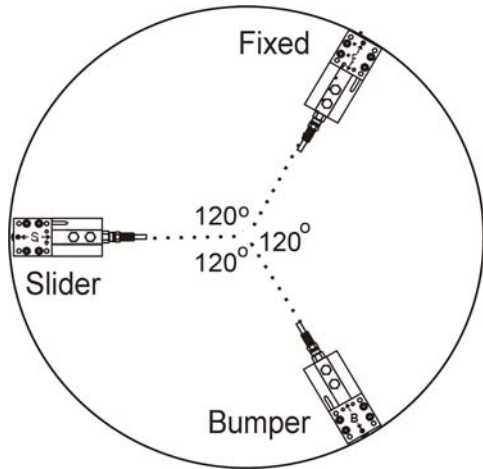
**Round Vessel with 3  
Load Point  
Assemblies - Angle  
Config. #1**



**FIG. 7: ANGLE FOR FIXED AND BUMPER  
LOAD CELLS IN ROUND CONFIGURATION**

## HI HLPS SERIES LOAD POINT ASSEMBLY

### Round Vessel with 3 Load Point Assemblies - Angle Config. #2

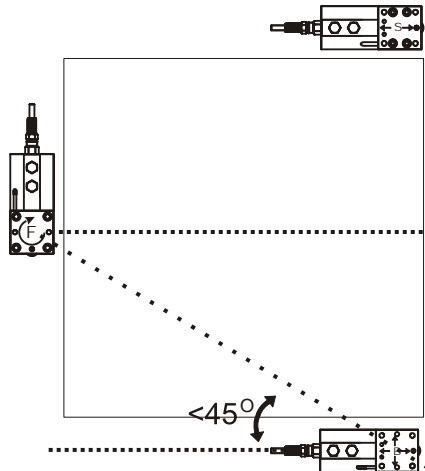


**FIG. 8: ANGLE FOR ALL LOAD CELLS IN ROUND CONFIGURATION**

**NOTE:**

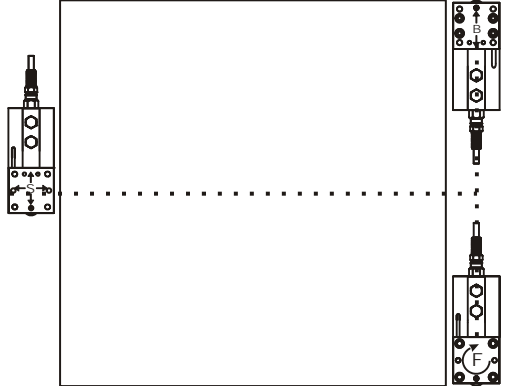
*Load Cells can be oriented with cables pointed either in or out. For three load point systems, the mounting locations should be spaced 120 degrees apart. For four load point systems the mounting locations should be spaced 90 degrees apart.*

### Square Hopper with 3 Load Point Assemblies - Even Load Distribution



**FIG. 9: ANGLE FOR FIXED AND BUMPER LOAD CELLS IN SQUARE CONFIGURATION**

**Square Hopper with  
3 Load Point  
Assemblies - Uneven  
Load Distribution**

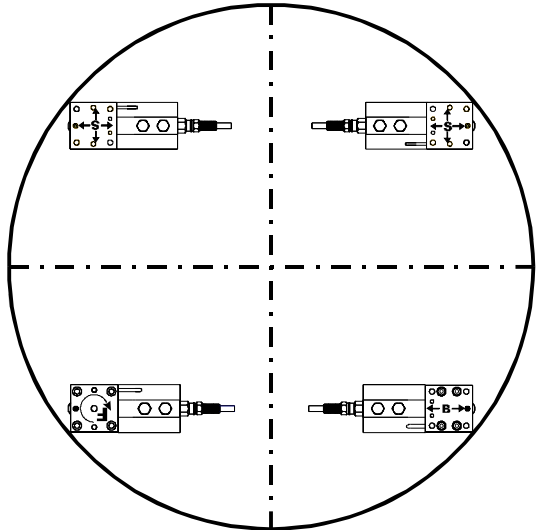


**FIG. 10: ANGLE FOR THREE LOAD CELLS IN SQUARE CONFIGURATION**

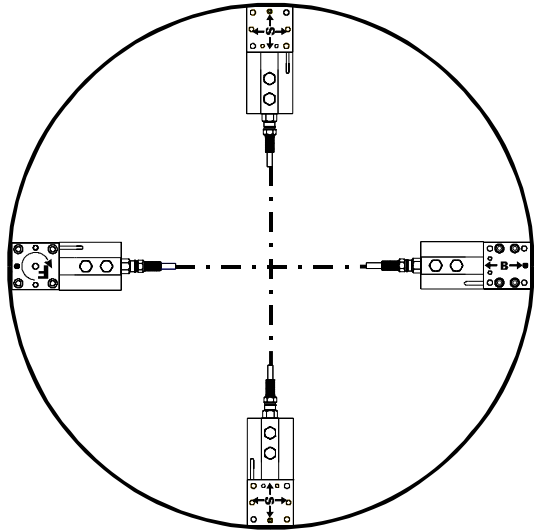
**NOTE:**

*This configuration is an exception to the even load distribution principle. Use this configuration in circumstances where you arrange several hopper in close proximity to each other.*

**Round Vessel with 4  
Load Point  
Assemblies**

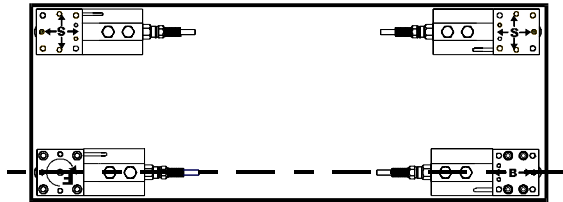


**FIG. 11: FOUR LOAD CELLS IN ROUND CONFIGURATION**



**FIG. 12: FOUR LOAD CELLS FACING INWARD IN ROUND CONFIGURATION**

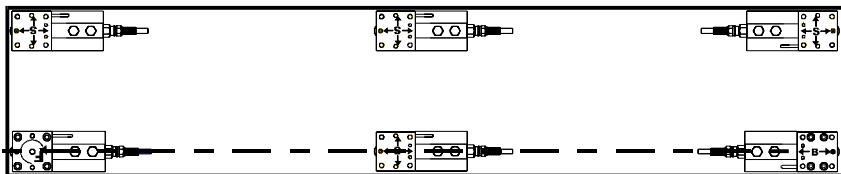
Typical 4 - Load  
Point Assembly  
Installation



**FIG. 13: FOUR LOAD CELLS POSITIONED IN A RECTANGULAR CONFIGURATION**



**Typical 6 - Load  
Point Assembly  
Installation**



**FIG. 14: SIX LOAD CELLS POSITIONED IN A RECTANGULAR CONFIGURATION**

**NOTE:**

*In case there is doubt concerning load point assembly installation, contact your local Hardy Process Solutions dealer, Application Engineering Department, or Customer Support Department for assistance.*

*You can orient the load point assemblies to meet your system installation requirements. All load point assemblies can be rotated 360° in 90° increments. The examples above are recommendations only.*

**Level Requirements**

For scales that must meet NIST Class 3 (OIML Class 3) specifications:

1. The base plate support surfaces must be within 0.2 degrees (0.4mm/100mm)
2. The top plate support surfaces in the load carrier must be within 0.5 degrees (0.9mm/100mm)

For scales with accuracy requirements => 0.1%

1. The base plate support surfaces must be within 0.4 degrees (0.08mm/100mm)
2. Top plate support surfaces in the load carrier must be within 1 degree (1.8mm/100mm)

**Stiffness**

Load variations and external forces can cause support surface level variations.

## HI HLPS SERIES LOAD POINT ASSEMBLY

For scales that must meet NIST Class 3 (OIML Class 3) specifications:

1. Maximum base plate angle variation: 0.2 degrees.
2. Maximum top plate angle variation 0.5 degrees.

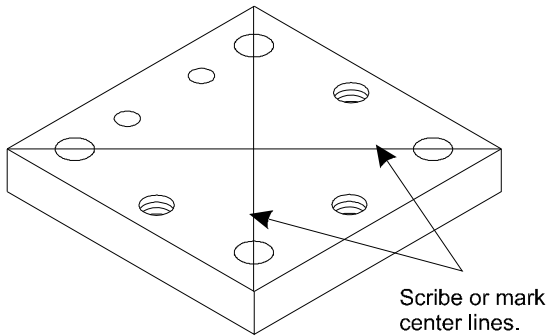
For scales that must meet accuracy specifications => 0.1%

1. Maximum base plate angle variation 0.2 degrees
2. Maximum top plate angle variation 1 degree.

### Installation Procedures

#### Pre-Installation Procedures

- Step 1. Position the base plates with load cells on the support surfaces and line them up in accordance with the basic principles for positioning. (See Principle #2, pg. 6)
- Step 2. We recommend scribing or marking a centerline on the top plate. (See Fig. 15)



**FIG. 15: MARKING TOP PLATE FOR INSTALLATION**

**Installing Load  
Point Assemblies  
with Anchor Bolts**

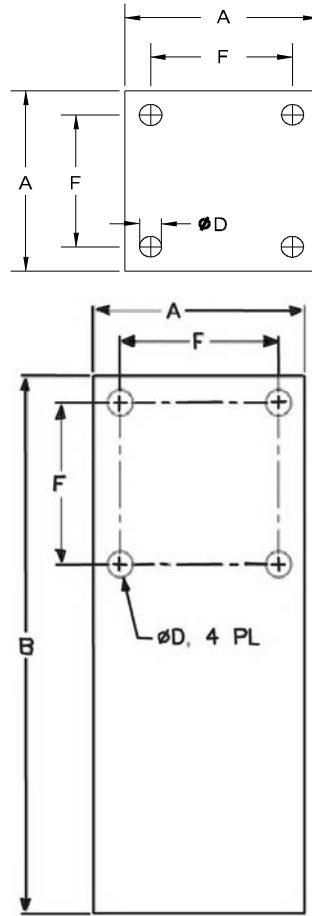
The outline drawing located on the [www.hardy-inst.com](http://www.hardy-inst.com) Web Site provide the Base Plate and Top Plate dimensions for the Load Point Assembly. They include the thru hole diameters and center distances.

**Installing the  
Base Plate**

- Step 1. Make sure that the concrete foundation is level.
- Step 2. To assist in the installation of the anchor bolts we recommend creating a template using the thru hole diameters of the top plate mounting dimensions. For drilling dimensions, see the drawings accessed from the Products page on the Hardy Process Solutions web site. Note that the holes for top and bottom are in direct alignment, but the thickness of the top and bottom plates differ.

Fig. 16 and Table 1 provide side dimensions and hole diameters only.

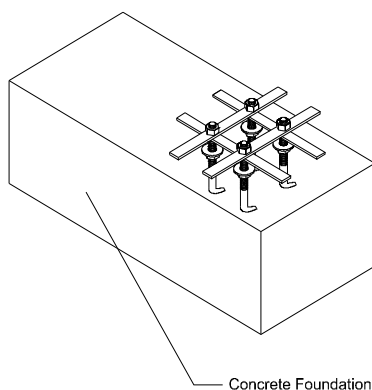
**HI HLPS SERIES LOAD POINT ASSEMBLY**



**FIG. 16: BASE AND TOP PLATE DRAWINGS**

<b>Capacity</b> LBS (kN)	<b>A</b>	<b>B</b>	<b>F</b>	<b>Dia. D</b>
1.25K 2.25K 4.50K (5) (10) (20)	3.15 (80)	7.09 (180.0)	2.28 (58)	0.354 (9)
11.25 K (50)	3.94 (100)	8.66 (220.0)	2.99 (76)	0.433 (11)
22.5K (100)	4.72 (120)	10.03 (275.0)	3.54 (90)	0.571 (14.5)

**TABLE 1: BASE & TOP PLATE DIMENSIONS**

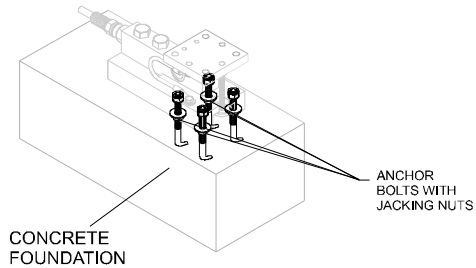


**FIG. 17: ANCHOR BOLTS TEMPLATE**

- Step 3. Use wood or metal to create the templates. The size of the template depends on the size of the anchor bolts.
- Step 4. Mark a point on on each template. Then, using the I/I diagram, make another mark on the template measuring from the thru hole center points on the base plate.
- Step 5. Drill the thru holes the same size as the base plate thru holes at each of the marks you made on the templates.
- Step 6. On the vessel or structural support that will rest on the load point assemblies, measure from the point where you want to position the center of the fixed-pin load point assembly's top plate to where you want the centers of the top plates of the other load point assemblies used in the weighing system. As you mark each center point location, check the typical mounting arrangements for load point systems above.
- Step 7. Place the center of the Anchor Bolt pattern at the exact centers as measured in Step 6. You can use the templates to assist in locating these center points.

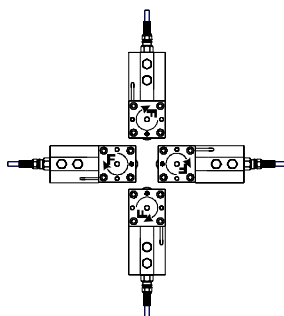
## HI HLPS SERIES LOAD POINT ASSEMBLY

- Step 8. When you place the anchor bolts into the concrete foundation, slip the templates over the anchor bolts so that the bolt center distances will be the same as the base plate thru holes of the load cell. You can leave the templates there until after the concrete dries or remove them when you think the concrete has set to the point where the anchor bolts won't move.
- Step 9. Allow room to install the jacking nuts and washers. You are going to make the level adjustments with the jacking nuts. (See Fig. 18)



**FIG. 18: INSTALLING THE FOUR ANCHOR BOLTS FOR THE BASE PLATE**

- Step 10. Install the jacking nuts onto the anchor bolts so there is about 1/2 inch between the concrete foundation and the jacking nuts. Don't worry about level at this point, you will level everything after the Load Point Assembly/base plate is installed.
- Step 11. Install four flat washers on each anchor bolt above the jacking nuts. (See Fig. 17)
- Step 12. Slide the load point assembly/base plate onto the anchor bolts. You can install the load point assemblies in one of four orientations. (See Fig. 19)



**FIG. 19: LOAD POINT ASSEMBLIES ORIENTATION**

This illustration uses the fixed load point assembly, but you can do the same with any of the load point assembly types.

- Step 13. Use a bubble level to level the load point assembly from side to side and corner to corner. Use a box end wrench to adjust each of the jacking nuts until each load point assembly in the system is level.
- Step 14. Install the base plate nuts finger tight. You may need to adjust the jacking nuts later as you install the rest of the load point assemblies for the weighing system.
- Step 15. If you replaced a loading pin or load cell, make sure you grease the sliding and fixed pins and the fixed pin housings in the top plate and the load cell. Clean the stainless plate on the under side of the top plate and verify that the stainless plate is free of scratches or other damage. Replace the Stainless plate if scratched or damaged.
- Step 16. Install the rest of the load point assemblies according to the Positioning Principles. (See Principles, pgs. 6 & 7)

**NOTE:**

*Load variations and external forces can cause support surface level variations.*

## HI HLPS SERIES LOAD POINT ASSEMBLY

### **Installing the Top Plate to the Load Surface**

- Step 17. Level all the installed load point assemblies and adjust them according to the following base plate level requirements:
- Step 1. Disconnect the power to the controller to which the load cells are connected.
- Step 2. Disconnect all wires to the Summing Junction Box.
- Step 3. You should have scribed or marked a centerline on the top surface of the top plate to locate the center. (See Fig. 6)
- Step 4. Mark the point you want the center of the top plate to be located on the support bracket. Place the top plate center over the support bracket mark and:

### **WARNING**

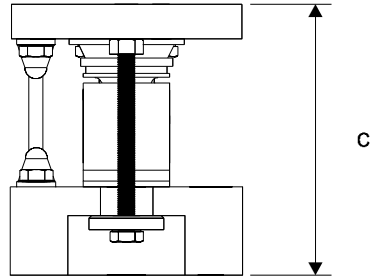
**UNDER NO CIRCUMSTANCES MUST WELDING CURRENT BE ALLOWED TO PASS THROUGH THE LOAD SENSOR. TO DO SO WILL DESTROY THE LOAD SENSOR AND COULD POSSIBLY CAUSE PERSONAL INJURY AND/OR PROPERTY DAMAGE.**

- Be sure to shield the entire load cell and cable from any slag that might drop.
  - Tack weld the top plate to the support bracket.
  - If you want to fasten the top plate to the support bracket, use a marker or scribe and trace the thru hole pattern of the top plate on the support bracket. Drill four thru holes or drill and tap four holes for the fasteners. Install the top plate to the support bracket using the four fasteners.
- Step 5. With the top plates installed, put the vessel support bracket with the top plate onto the pins of the load cells. The sliding load cell pins must be riding on the stainless plate. Make sure that the fixed pin is centered in the top plate housing. The horizontal position is not critical, but the vertical position



is. Use the C dimensions to determine the proper height between the support surface and the top of the top plate. (See Fig. 20)

- Step 6. Level all the installed load point assemblies and make adjustments according to the following top plate level requirements:

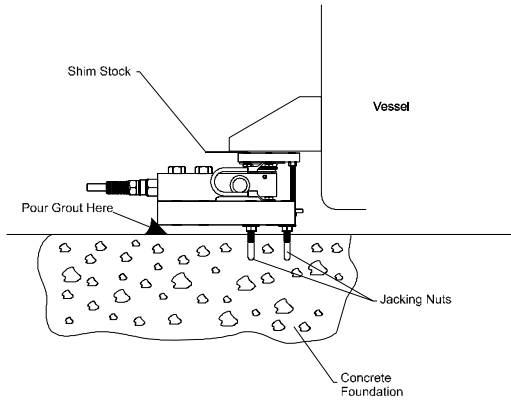


**FIG. 20: HEIGHT DIMENSION C**

<b>MODEL #</b>	<b>HEIGHT C</b>
<b>HI HLPS 1125, 2.25K,4.5K</b>	<b>3.54 (90)</b>
<b>HI HLPS 11.25K</b>	<b>4.72 (120)</b>
<b>HI HLPS 22.5K</b>	<b>6.69 (170)</b>

**TABLE 2: HEIGHT DIMENSION C**

- Step 7. To adjust the level of the top plate, use shim stock between the top plate and the support bracket. (See Fig. 21)



**FIG. 21: ADJUSTING FOR LEVEL WITH SHIM STOCK**

Step 8. If you tack welded the top plate to the support bracket, lift the vessel off the load cell pins (if you can) and finish welding the top plate to the support bracket. If you cannot, be sure to shield the entire load cell and cable from any slag that might drop. Lower the vessel back onto the sliding loading pins.

**WARNING**

**UNDER NO CIRCUMSTANCES MUST WELDING CURRENT BE ALLOWED TO PASS THROUGH THE LOAD SENSOR. TO DO SO WILL DESTROY THE LOAD SENSOR AND COULD POSSIBLY CAUSE PERSONAL INJURY AND/OR PROPERTY DAMAGE.**

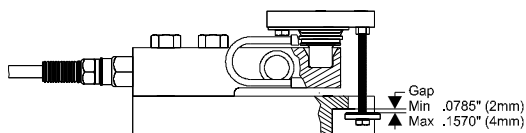
Step 9. Pour grout up to the bottom surface of the base plate and let dry.

**CAUTION:**

**DO NOT ALLOW GROUT TO COME IN CONTACT WITH THE ANTI-LIFT OFF DEVICE. (SEE FIG. 13)**

**Adjusting the Anti-Lift Off Device**

- Step 1. Use a box end wrench to loosen the adjustment hex nut that fastens the anti-lift-off device to the top plate. (See Fig. 22)



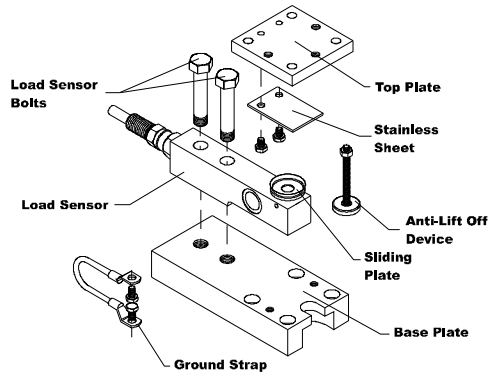
**FIG. 22: ANTI-LIFT OFF DEVICE ADJUSTMENT**

- Step 2. Use a box-end wrench or your fingers to adjust the hex screw until the gap between the base plate and the washer are between .0785" (2mm) and .1570" (4mm).
- Step 3. Use a box-end wrench and tighten the adjustment hex nut.

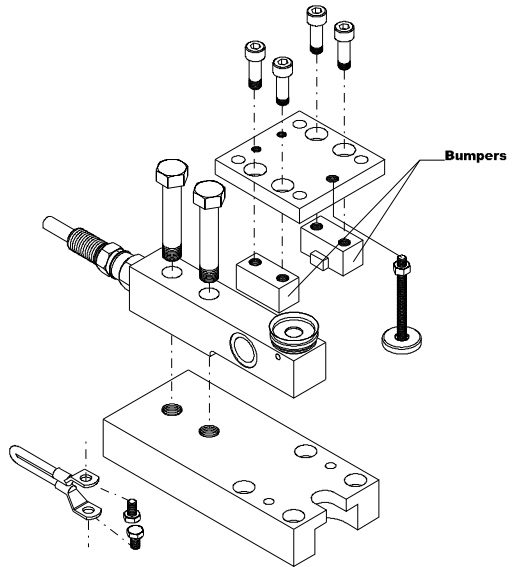
**Replacing the Load Sensor**

- Step 1. Use a box-end wrench to loosen the nut that fastens the anti-lift-off device to the top plate. Remove the anti-lift-off device. (See Fig. 14)
- Step 2. Use a box-end wrench to remove the two hex bolts that fasten the ground strap. Remove the ground strap from the top plate and the base plate.
- Step 3. Jack up the vessel support leg and lift off the top plate.
- Step 4. Use a box-end or crescent wrench to remove the two load sensor bolts that fasten the Load Sensor to the base plate. (See Figs. 23 and 24)

## HI HLPS SERIES LOAD POINT ASSEMBLY



**FIG. 23: EXPLODED ISO VIEW OF FREE SLIDING LOAD POINT ASSEMBLY**

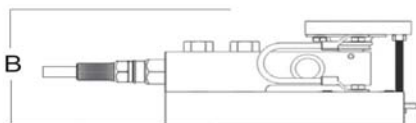


**FIG. 24: EXPLODED ISO VIEW OF BUMPER LOAD POINT ASSEMBLY**

- Step 5. Remove the old load sensor.
- Step 6. Align the load cell bolt thru holes with the threaded base plate bolt holes.

## OPERATION AND INSTALLATION MANUAL

- Step 7. Screw the two load cell bolts into the base plate until they are finger tight only.
- Step 8. The height (B) dimension is the minimum required service area above the load cell baseplate to remove the load cell bolts. (See Fig. 24 & Table 3)



**FIG. 25: B DIMENSION**

<b>MODEL #</b>	<b>HEIGHT B</b>
<b>HI HLPS 1125, 2.25K,4.5K</b>	<b>2.91 (74.0)</b>
<b>HI HLPS 11.25K</b>	<b>4.02 (102)</b>
<b>HI HLPS 22.5K</b>	<b>5.83 (148)</b>

**TABLE 3: B DIMENSIONS**

- Step 9. Use a torque wrench and tighten the bolt farthest from the cable end first. Then tighten the bolt nearest the cable end.
- Step 10. Again refer to the B dimensions. Use the following torque values:

**HI HLPS SERIES LOAD POINT ASSEMBLY**

<b>MODEL #</b>	<b>Foot pounds (NewtonMeters or Joules)</b>
HI HLPS1125-43B HI HLPS1125-43F HI HLPS1125-43S HI HLPS2.25K-43B HI HLPS2.25K-43F HI HLPS2.25K-43S HI HLPS4.5K-43B HI HLPS4.5K-43F HI HLPS4.5K-43S	65 (88.5)
HI HLPS11.25K-43B HI HLPS11.25K-43F HI HLPS11.25K-43S	295 (400)
HI HLPS22.5K-43B HI HLPS22.2K-43F HI HLPS22.5K-43S	515 (700)

**TABLE 4: LOAD CELL BOLT TORQUE VALUES**

Step 11. Inspect the Stainless Plate for scratches or damage. If there are scratches or damage:

- Use a box-end wrench to remove the two hex machine screws that fasten the stainless plate to the top plate. (See Fig. 24)
- Discard the old stainless plate.
- Place the new stainless plate so that the thru holes are aligned with the threaded holes in the top plate.
- Replace the two hex machine screws.
- Lower the vessel down onto the load points.
- Reinstall the ground strap and anti-lift-off device. (See Figs. 23 & 24)

## **Troubleshooting**

### **Physical Checks**

Before doing any electrical tests do the following:

- Step 1. Visually inspect each load point assembly for physical damage. Look for distortions or cracks in all metal parts.
- Step 2. Check all welds to be sure they are not cracked or have deep pot marks.
- Step 3. Check all cables for cracks, cuts or crimping. Check for any abrasions on the cables.
- Step 4. Look for structural changes in the scale or supporting structures.
- Step 5. Look for binding of any kind on the load point assembly.
- Step 6. Chapter 8, Page 8-2 of the Hardy Controller Manual explains how to troubleshoot using Integrated Technician. See: <http://www.hardysolutions.com> for the support page or contact your local Hardy Representative for information as to where to get manuals for Hardy products.
- Step 7. Get the Load Sensor certification sheets for referencing while troubleshooting. The certifications are available to you 24 hours a day on the support section of our Web Site: <http://www.hardysolutions.com>.

If you find any of the problems stated above, replace the part that is damaged.

### **Electrical Tests for Load Point Assembly Problems**

#### **Zero Balance Test**

Problem: Changes in the Zero Balance.

Cause: Load Cell has been overloaded.

Remedy:

- Step 1. Use a millivolt meter or Integrated Technician feature (See Physical Checks, Step 6)

## HI HLPS SERIES LOAD POINT ASSEMBLY

and measure the LPS output under “no load” conditions. The reading should be less than 1% of the full scale output.

### **NOTE:**

*Sensors can shift up to about 10% of their full scale and still function correctly.*

Step 2. If the output has shifted more than 1%, replace the sensor.

Assumption: A 5VDC excitation on a sensor with a 3mV/V output sensitivity, a 1% shift in zero balance will yield a 0.1 mV/V change from the specification.

### **Bridge Resistance Test**

Problem: Changes in Bridge Resistance

Cause: Failure of a compensating element, or by a broken or burned bridge wire. Often cause by an electrical transient such as lightning.

Remedy:

Step 1. Use an Ohmmeter and measure the resistance between the EXC + and EXC- leads. The value for the EXC leads should be 1106 ohms + - 5 ohms.

Step 2. Use an Ohmmeter and measure the resistance between the SIG + and SIG - leads. The value for the SIG leads should be 1,000 ohms + - 1 ohm.

Step 3. Readings that exceed the ranges indicated suggest damage and the load cell should be thoroughly inspected or replaced.

### **Resistance to Ground Test**

Problem: Electrical leakage is creating an unstable output from the instrument.

Cause: Water contamination in the load sensors or cables.

Remedy:

Step 1. Tie together the load sensor excitation (2), signal (2) and ground (1) wires.

### **NOTE:**

*Be careful NOT to include the two C2 wires.*



Step 2. Use a megohmmeter and measure the resistance between all five wires tied together and the load cell metal body.

- The measured value should be 5,000 megohms or more.

**WARNING**

**WHEN USING A MEGGER DO NOT EXCEED 50 VOLT RANGE.**

- If the sensor fails this test remove the ground wire and test with only the four live leads.
- If the sensor passes the test an insulation problem in the cable is most likely.

Step 3. Replace the load cell if the cell fails both tests.

**Electrical Termination  
Cable Color Codes**

The cable is 6 conductor, shielded (floating) and 20 feet in length.

EXC+	Red
EXC -	Black
SHIELD	Yellow
C2+	Gray
C2-	Violet
SIG +	Green
SIG -	White

**Model Numbers**

**NOTE:**

*The -43F/B/S indicates a stainless steel load sensor with stainless steel mounting hardware. For galvanized mounting hardware use -45 F/B/S*

Capacity		Model #	Model #	Model #
LBS	Kn	Fixed Assembly	Bumper Assembly	Slider Assembly
1,125	5	HI HLPS1125-43F	HI HLPS1125-43B	HI HLPS1125-43S
2.25K	10	HI HLPS2.25K-43B	HI HLPS2.25K-43B	HI HLPS2.25K-43S

**TABLE 5: MODEL NUMBERS & CAPACITIES**

**HI HLPS SERIES LOAD POINT ASSEMBLY**

Capacity		Model #	Model #	Model #
LBS	Kn	Fixed Assembly	Bumper Assembly	Slider Assembly
4.5K	20	HI HLPS4.5K-43F	HI HLPS4.5K-43B	HI HLPS4.5K-43S
11.25K	50	HI HLPS11.25K-43F	HI HLPS11.25K-43B	HI HLPS11.25K-43S
22.5K	100	HI HLPS22.5K-43F	HI HLPS22.5K-43B	HI HLPS22.5K-43S

**TABLE 5: MODEL NUMBERS & CAPACITIES**

Model #
Spare Load Sensor
HI SBH04-1125
HI SBH04-2.25K
HI SBH04-4.5K
HI SBH04-11.25K
HI SBH04-22.5K

**TABLE 6: SPARE LOAD SENSORS**

**Three Leg Systems**

Total Capacity		
Model #	Pounds	Kn.
HI 3S3375-43	3.375k	15
HI 3S6.75K-43	6.75k	30
HI 3S13.5K-43	13.5k	60
HI 3S37.5K-43	33.75k	150
HI 3S67.5K-43	67.5k	300

**TABLE 7: THREE LEG SYSTEMS**

**Four Leg Systems**

Total Capacity		
Model #	Pounds	Kn.
HI 4S4.5K-43	4.5k	20
HI 4S9K-43	9k	40
HI 4S18K-43	18k	80
HI 4S45K-43	45k	200
HI 4S90K-43	90k	400

**TABLE 8: FOUR LEG SYSTEMS**

**Specifications**

Operating Specifications

Rated Output (F.S.)	-----	2+-0.002mV
Non-Linearity	-----	<+-0.0166% R.O.
Hysteresis	-----	<+-0.0166% R.O.
Zero Balance	-----	<+-5.0% R.O.
Creep @ 30 Min.	-----	<+-0.0166% R.O.
Temp Effect Output	-----	<+-0.0127% R.O./C
Temp Effect Sensitivity	-----	<+-0.010% R.O./C
Input Resistance	-----	1100 +- 50 ohms
Output Resistance	-----	1000 +- 2 ohm
Insulation Resistance	-----	>5000 megohms
Excitation	-----	5-15VDC
Safe Load Limit	-----	200% Emax
Ultimate Load	-----	300% Emax
Safe Side Load	-----	50% Emax

Environmental Specifications

Operating Temperature	-----	Minus 40° F to Plus176° F (-40° C to +80° C)
Compensated Temperature	-----	14° F to 104° F (Minus 10° C to Plus 40° C)
Load Sensor Material	-----	17-4PH Martensitic (Magnetic) Stainless Steel
Load Sensor Fittings	-----	Coated Tool Steel
Top Plate & Base Plate Material	---	316 Stainless Steel or Galvanized Steel
Conduit Adapter	-----	.250-18 NPT

**HI HLPS SERIES LOAD POINT ASSEMBLY**

Hermetic Sealing

Gauging Area ----- Welded Cylindrical Sleeve

Cable Entry----- Glass to Metal Header

**Print the unit serial number and model number for reference when ordering parts for the HI HLPS Load Point Assembly**

**The serial number can be found on the side of the load sensor, or by entering the SelfTest Mode.**

**Scale Name/Location:**

**Model Number:**

**Serial Number 1:**

**Serial Number 2:**

**Serial Number 3:**

**Serial Number 4:**

**Serial Number 5:**

**Serial Number 6:**

**Serial Number 7:**

**Serial Number 8:**

**HI HLPS SERIES LOAD POINT ASSEMBLY**